

YW SERIES NON-CLOG SUBMERSIBLE SEWAGE PUMP (SINGLE-PIPE)

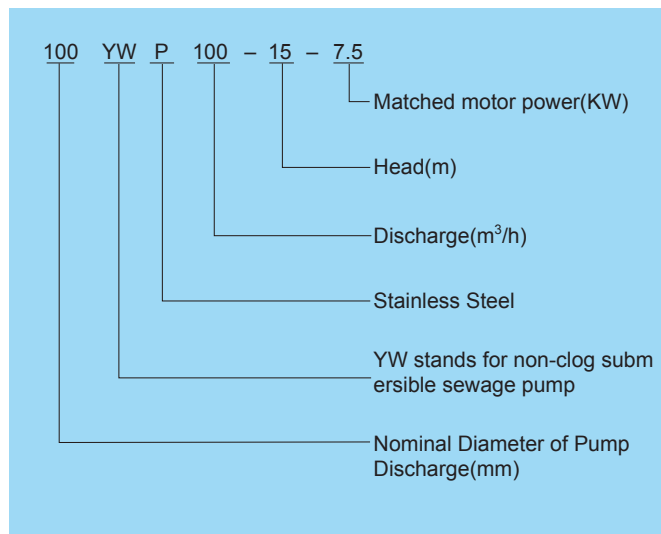
PRODUCT PROFILE

YW series non-clog submersible sewage pumps are optimized on the base of WQ submerged motor pump according to users' practical demands, installation and service conditions and modes, combined with years of experience. With easy installation and operation as well as reasonable structure, this series has eliminated the disadvantage of motor burning as a result of water leakage of mechanical seal.

APPLICABILITY

YW series non-clog submersible sewage pumps are applicable for the discharge of seriously polluted wastewater in factories and commercial sites, sewage draining station in residential area, drainage system in city wastewater treatment plant, draining station for civil defense, water supply in tap water plant, sewage drainage in hospitals and hotels, construction sites of municipal projects, exploration, mines, rural methane pool, agricultural irrigation etc. to deliver wastewater and pollutants containing granules, as well as clean water and weak corrosive mediums.

TYPE MEANING



YW Series Non-clog Submersible Sewage Pump (single-pipe)



YW Series Non-clog Submersible Sewage Pump (Double-pipe)

SERVICE CONDITIONS

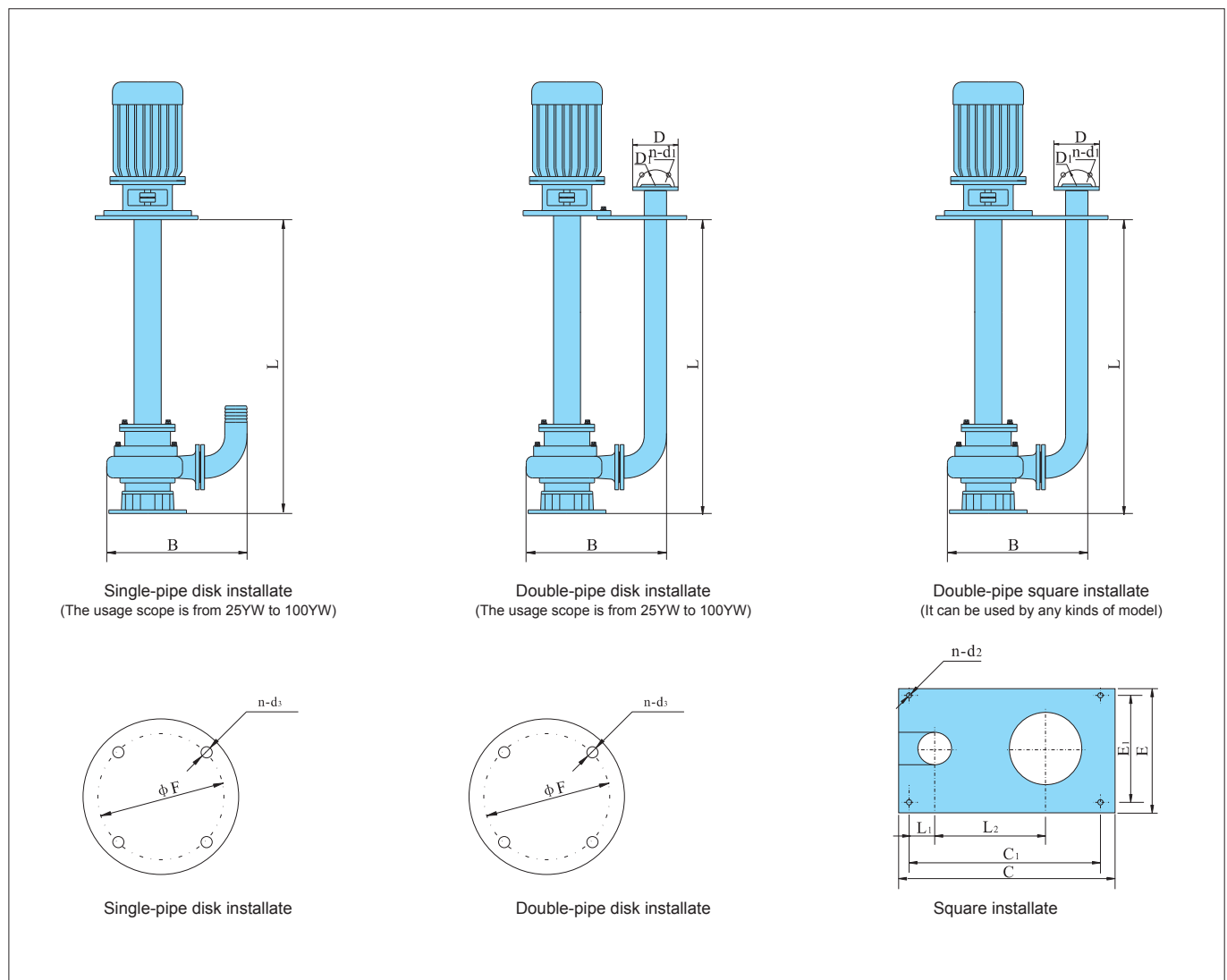
1. Ambient temperature $\leq 40^{\circ}\text{C}$, humidity $\leq 95\%$ and height above sea level $\leq 1,000$ meters. If beyond, clarify when placing an order.
2. Medium temperature not exceeding 60°C and medium weight from $1\sim 1.3\text{kg/dm}^3$.
3. The applicable scope of cast-iron material is from PH5~9.
4. For 1Cr18Ni9Ti stainless steel material, ordinary corrosive mediums may be used.
5. The height above sea level of service location should not exceed 1,000 meters. If beyond, clarify when placing an order for our convenience to provide you with more reliable products.

Note: If there are special requirements on temperature and mediums, please clarify the detail of the medium to deliver when placing an order for our convenience to provide you with more reliable products.

PRODUCT FEATURE

1. Its unique single-vane or double-vane impeller structure contributes much to pollutant handling capacity. It enables to effectively deliver fibers 5 times of pump caliber and solid granules of diameter at 50% of pump caliber.
2. Its mechanical seal uses late-model corrosion resistant carbon tungsten hard alloy for long-term operation in oil chamber and safe service of continuously more than 8,000 hours.
3. Compact overall structure, small volume, low noise, distinctive energy saving, easy maintenance, use of standard Y series motors for the convenience of making replacement.
4. The automatic control cabinet may automatically control the start and stop of pump responding to the changes of required liquid level. It is fairly easy to use with no need for a special person to care about it.
5. Square and circular installation systems are available if required, making installation and maintenance much convenient, so that there is no need for a person to go into sewage pit.
6. It can be used within full head extent and prevent motor from over load.
7. This pump is provided with outdoor motor, with no need for a pump room. It may be directly installed outdoors to save expenses.
8. This pump takes a vertical structure. While in service, pump body is submerged in medium, so that it is easy to start. It is also characterized by no leakage. The underwater depth ranges from 0.5~9 meters, varying from pump types.

OUTLINE DIMENSIONAL DRAWING AND INSTALATION DIMENSIONAL DRAWING



PERFORMANCE PARAMETER AND INSTALATION DIMENSIONS

Caliber (mm)	Type	Q (m³/h) Discharge	Head (m)	n (r/min) Rotary Speed	P (kW) Power	% Efficiency	Outlet Flange			Underwater Depth L (m)	Dimension of Disc installation						
							D	D ₁	n-Φd ₁		C×E	C ₁ ×E ₁	n-d ₂	ΦF	n-d ₃	L ₁	L ₂
25	25YW8-12-0.75	8	12	2900	0.75	48	100	75	4-14	0.5~5	600×320	540×250	4-Φ18	Φ250	4-Φ18	100	220
	25YW8-22-1.1	8	22	2900	1.1	45											
32	32YW8-12-0.75	8	12	2900	1.75	48	120	90	4-14	0.5~5	600×320	540×250	4-Φ18	Φ250	4-Φ18	100	220
	32YW8-22-1.1	8	22	2900	1.1	45											
40	40YW12-15-1.5	12	15	2900	1.5	48	130	100	4-14	0.5~5	600×320	540×250	4-Φ18	Φ250	4-Φ18	100	220
50	50YW20-7-0.75	20	7	2900	0.75	62	140	110	4-14	0.5~5	600×320	540×250	4-Φ18	Φ270	4-Φ18	100	260
	50YW10-10-0.75	10	10	2900	0.75	54											
	50YW20-15-1.5	20	15	2900	1.5	51											
	50YW15-30-2.2	15	30	2900	2.2	45											
	50YW42-9-2.2	42	9	2900	2.2	52											
	50YW30-10-2.2	30	10	2900	2.2	51											
	50YW17-25-3	17	25	2900	3	52											
	50YW40-15-4	40	15	2900	4	57											
	50YW25-32-5.5	25	32	2900	5.5	60											
50YW20-40-7.5	20	40	2900	7.5	46												
65	65YW25-15-2.2	25	15	2900	2.2	52	160	130	4-14	0.5~5	600×320	540×250	4-Φ18	Φ270	4-Φ18	100	290
	65YW37-13-3	37	13	2900	3	60											
	65YW25-30-4	25	30	2900	4	58											
	65YW30-30-5.5	30	30	2900	5.5	58											
	65YW30-40-7.5	30	40	2900	7.5	55											
	65YW35-50-11	35	50	2900	11	42											
	65YW35-60-15	35	60	2900	15	41											
80	80YW40-7-2.2	40	7	1450	2.2	50	185	150	4-18	0.7~6	650×350	600×600	4-Φ18	Φ270	4-Φ18	100	330
	80YW43-13-3	43	13	2900	3	48											
	80YW50-7-3	50	7	2900	3	52											
	80YW40-15-4	40	15	2900	4	48											
	80YW50-20-5.5	50	20	2900	5.5	50											
	80YW65-25-7.5	65	25	2900	7.5	51											
	80YW80-15-7.5	80	15	2900	7.5	54											
100	100YW70-7-3	70	7	1450	3	60	205	170	4-18	0.7~6	745×430	680×370	4-Φ18	Φ250	4-Φ18	120	330
	100YW85-10-4	85	10	1450	4	62											
	100YW60-15-4	60	15	1450	4	60											
	100YW65-15-5.5	65	15	1450	5.5	59											
	100YW100-15-7.5	100	15	1450	7.5	70											
	100YW85-20-7.5	85	20	1450	7.5	65											
	100YW100-25-11	100	15	1450	11	61											
	100YW100-30-15	100	30	1450	15	59											
	100YW100-35-18.5	100	35	1450	18.5	56											
150	150YW145-9-7.5	145	9	1450	7.5	63	260	225	8-18	1~6	1300×750	1220×680	6-Φ18	Φ300	4-Φ18	200	550
	150YW110-15-7.5	110	15	1450	7.5	61											
	150YW200-10-15	200	10	1450	15	64											
	150YW180-15-15	180	15	1450	15	62											
	150YW180-20-18.5	180	20	1450	18.5	74											
	150YW150-26-18.5	150	26	1450	18.5	72											
	150YW180-25-22	180	25	1450	22	69											
	150YW200-25-30	200	25	1450	30	65											
	150YW200-30-37	200	30	1450	37	65											
	150YW150-35-37	150	35	1450	37	63											
150YW180-40-45	180	40	1450	45	59												
200	200YW300-7-11	300	7	980	11	75	315	280	8-18	1~6	1550×750	1420×680	6-Φ18	Φ300	4-Φ18	200	610
	200YW250-11-15	250	11	1450	15	72											
	200YW250-15-18.5	250	15	1450	18.5	72											
	200YW400-10-22	400	10	1450	22	75											
	200YW300-15-22	300	15	1450	22	71											
	200YW400-13-30	400	13	1450	30	76											
	200YW300-18-30	300	18	1450	30	68											

PERFORMANCE PARAMETER AND INSTALATION DIMENSIONS

Caliber (mm)	Type	 Discharge $Q (m^3/h)$	 Head (m)	 Rotary Speed (r/min)	 Power (kW)	 Efficiency (%)	Outlet flange			Underwater Depth L(m)	Dimension of Disc installation				
							D	D ₁	n-Φd ₁		C×E	C ₁ ×E ₁	n-d ₂	L ₁	L ₂
200	200YW250-22-30	250	22	1450	30	71	315	280	8-18	1-6	1500×750	1420×680	6-Φ18	200	610
	200YW300-25-37	300	25	1450	37	71									
	200YW400-20-45	400	20	1450	45	74									
	200YW250-35-45	250	35	1450	45	69									
	200YW400-30-55	400	30	1450	55	72									
200YW200-60-75	200	60	1450	75	52										
250	250YW600-9-30	600	9	980	30	78	370	335	12-18	1-7	1500×850	1420×780	6-Φ18	200	680
	250YW600-12-37	600	12	1450	37	76									
	250YW600-15-45	600	15	1450	45	73									
	250YW600-20-55	600	20	1450	55	73									
	250YW600-25-75	600	25	1450	75	71									
300	300YW800-12-45	800	12	980	45	74	435	395	12-23	1-7	1500×850	1420×780	6-Φ18	200	680
	300YW480-15-45	480	15	1450	45	66									
	300YW400-20-45	400	20	1450	45	64									
	300YW600-20-55	600	20	1450	55	73									
	300YW800-20-75	800	20	1450	75	75									
	300YW950-20-90	950	20	1450	90	76									
	300YW950-24-110	950	24	1450	110	76									
350	350YW1500-7-45	1500	7	740	45	87	485	445	12-23	1-7	2000×1200	1900×1100	6-Φ18	200	750
	350YW1100-10-55	1100	10	980	55	85									
	350YW1180-13-75	1180	13	980	75	84									
	350YW1200-15-90	1200	15	980	90	84									
	350YW1130-18-90	1130	18	980	90	83									
	350YW1250-20-110	1250	20	980	110	83									
	350YW1500-20-132	1500	20	980	132	82									
350YW1500-26-160	1500	26	980	160	83										
400	400YW2000-6-55	2000	6	740	55	86	535	495	16-23	1-7	2000×1200	1900×1100	6-Φ18	200	750
	400YW1800-7-55	1800	7	740	55	85									
	400YW2500-7-75	2500	7	740	75	85									
	400YW1800-10-75	1800	10	740	75	85									
	400YW1690-12-90	1690	12	980	90	85									
	400YW2000-10-90	2000	10	980	90	85									
	400YW2000-13-110	2000	13	980	110	84									
	400YW2000-15-132	2000	15	980	132	83									
	400YW1700-22-160	1700	22	980	160	83									
	400YW2000-18-160	2000	18	980	160	85									
	400YW1950-23-185	1950	23	980	185	85									
	400YW1980-26-220	1980	26	980	220	83									
400YW1800-32-250	1800	32	980	250	82										
450	450YW2300-10-90	2300	10	740	90	85	590	550	16-23	1-7	2500×1400	2400×1400	6-Φ18	250	950
	450YW2250-11-110	2250	11	740	110	85									
	450YW2100-12-110	2100	12	740	110	83									
	450YW2260-14-132	2260	14	740	132	83									
	450YW2280-20-185	2280	20	740	185	82									
	450YW2300-25-250	2300	25	740	250	81									
	450YW2300-29-280	2300	29	740	280	80									
450YW2100-36-315	2100	36	740	315	78										
500	500YW2500-10-110	2500	10	740	110	85	640	600	16-23	1-7	2500×1400	2400×1400	6-Φ18	250	950
	500YW2500-16-160	2500	16	740	160	84									
	500YW2500-18-185	2500	18	740	185	83									
	500YW2500-12-132	2500	12	740	132	85									
	500YW2400-22-220	2400	22	740	220	85									
	500YW2650-24-250	2650	24	740	250	85									
500YW2400-28-280	2400	28	740	280	85										
600	600YW5400-8-185	5400	8	580	185	87	780	725	20-30	1-7	2500×1400	2400×1400	6-Φ18	250	950
	600YW4000-12-200	4000	12	580	200	86									
	600YW3550-15-200	3550	15	740	200	84									