

AS AND AV SERIES SPLIT SUBMERSIBLE PUMP



PRODUCT PROFILE

AS and AV series split submerged motor pumps are the culmination of foreign superior technologies. In addition to the application of discharging industrial and commercial wastewater, daily wastewater, drainage system of city wastewater treatment plant, draining station for civil defense, water supply and drainage in tap water plant, they are especially suitable for the delivery of liquid containing hard solids and fiber, as well as terribly dirty, sticky and slippery liquid. All AS pumps are provided with pre-adjusted splitting mechanism to discharge the long fiber, bags, belts, grass and cloth in sewage after splitting. That's why they wouldn't be clogged while in service, thus to ensure reliable operation.

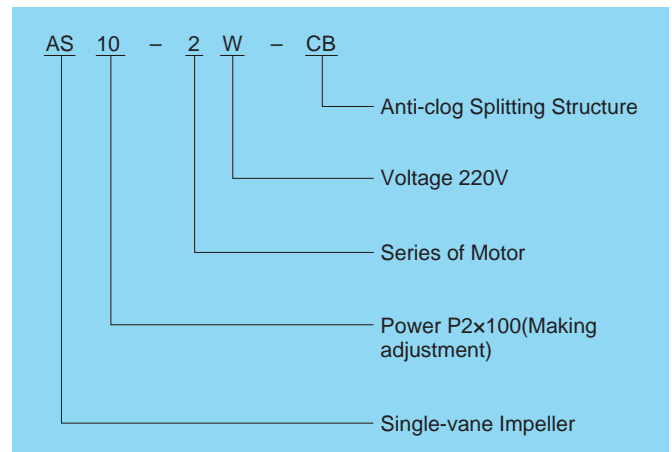
PRODUCT FEATURE

- 1.The use of excellent hydraulic model helps to improve its discharging capacity and non-clogging function.
- 2.Its splitting mechanism can split and cut off fiber materials and then smoothly discharge them, with no need offilter screen.
- 3.Compact structure, small volume, lightweight, portability, easy installation and low construction cost.
- 4.It can be used within full head extent and prevent motor from over load.
- 5.Double-guide automatic installation, easy maintenance, with no need for a person to go into sewage pit.
- 6.Provided with full automatic protection control cabinet to effectively prevent pump from electric leakage, water leakage and overload, thus to enhance security and reliability.
- 7.Its float ball switch can automatically control the start and stop of pump responding to the changes of required water level, with no need of a special person to care about it.

APPLICABILITY

- 1.Discharge of seriously polluted wastewater in factories and commercial sites;
- 2.Drainage system of city wastewater treatment plant;
- 3.Sewage drainage in residential area;
- 4.Drainage in civil defense system;
- 5.Sewage drainage in hospitals and hotels etc.;
- 6.Municipal projects and construction sites.

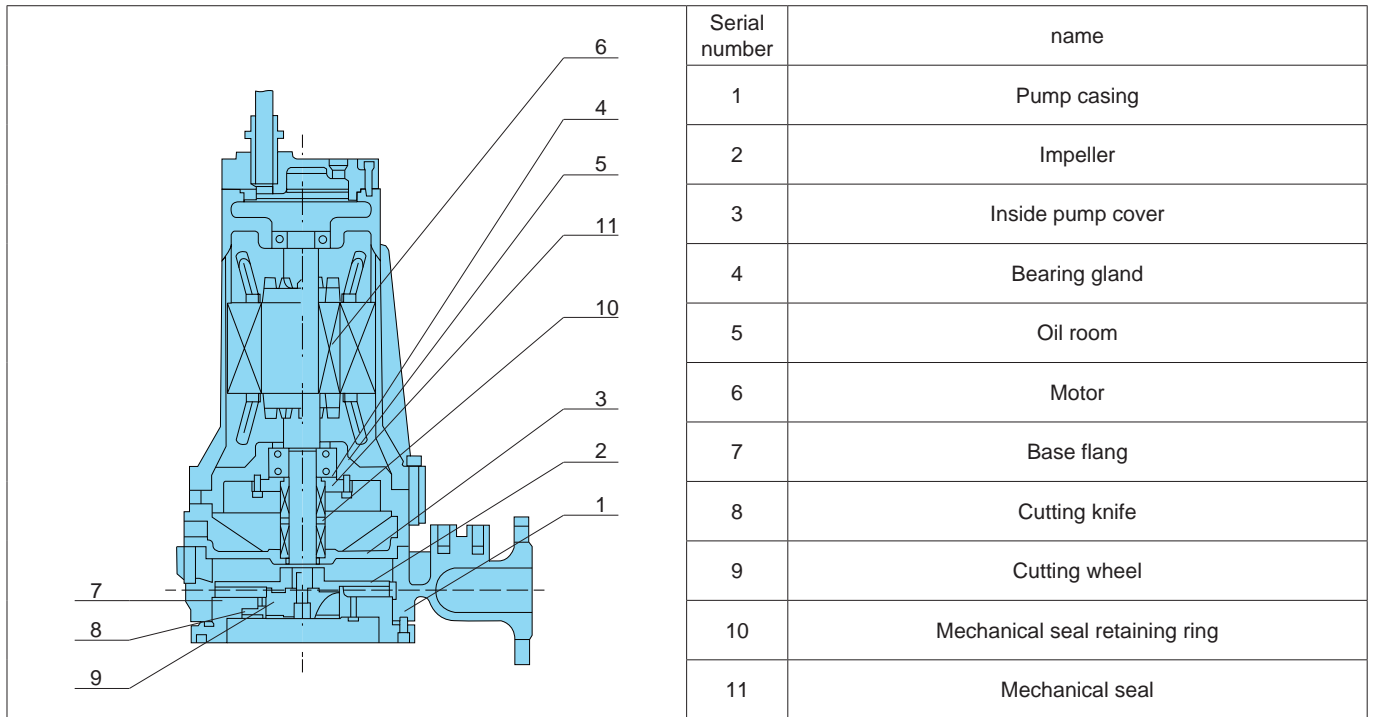
TYPE MEANING



SERVICE CONDITIONS

1. The temperature of the medium should not exceed 600°C. The density of the medium is 1~1.3kg/dm³.
2. The part of the motor above the liquid surface should not exceed 1/3.
3. The PH range of case iron material is 5-9.
4. 1Cr18Ni9Ti stainless steel material is applicable for common corrosive medium.
5. The working environment should be less than 1,000 meters above sea level. If it is beyond this level, please inform us when placing the order so that we can provide you the more suitable products.

SKETCH MAP OF STRUCTURE



PERFORMANCE PARAMETERS

Type	Discharge	Head (m)	r/min	kW	Rated Voltage	Inner Diameter of Matched Rubber Pipe
	$\rightarrow Q (m^3/h)$		Rotary Speed n(r/min)	Power		
AS10-2W/CB	15	4	1.1	2850	220	76
AS10-2CB	15	4.5	1.1	2850	380	76
AS16-2CB	29	7.6	1.5	2850	380	76
AS30-2CB	42	11	3.0	2850	380	76
AS55-2CB	45	13	5.5	2900	380	127
AS55-4CB	100	7.5	5.5	1450	380	152
AS75-2CB	60	18	7.5	2900	380	127
AS75-4CB	145	10	7.5	1450	380	152
AV14-4	22	5.8	1.5	1450	380	76
AV55-2	30	20	5.5	2900	380	76
AV75-2	30	25	7.5	2900	380	76